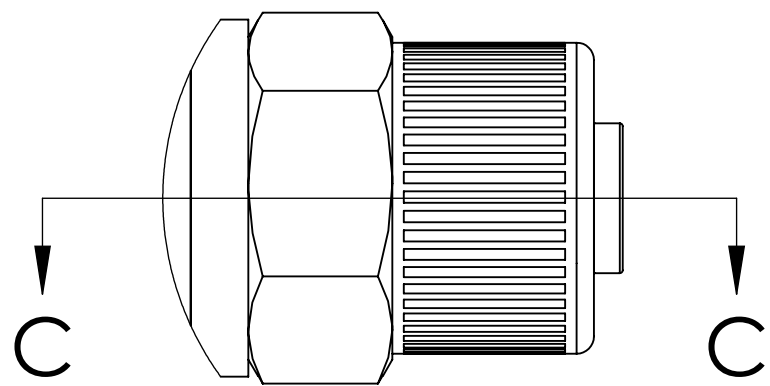
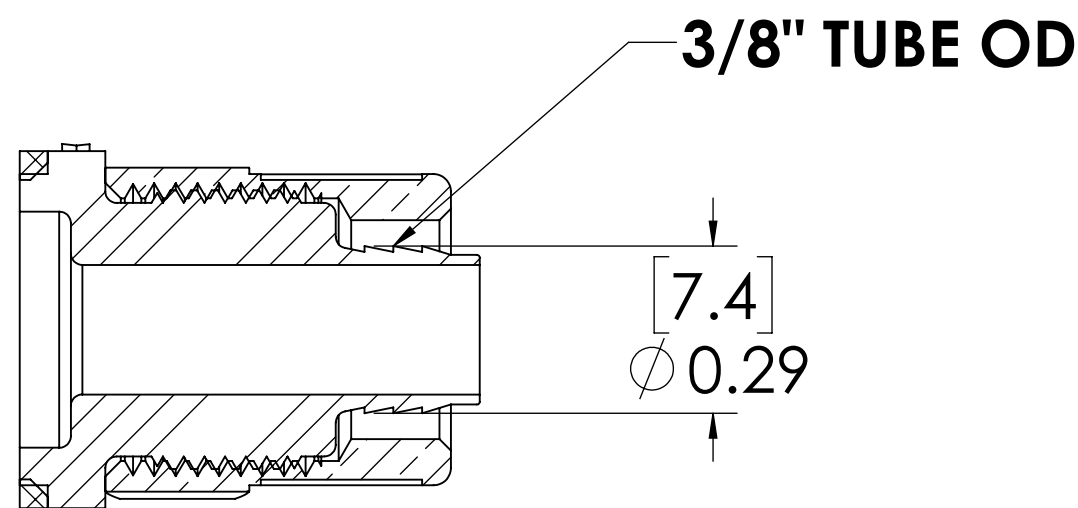


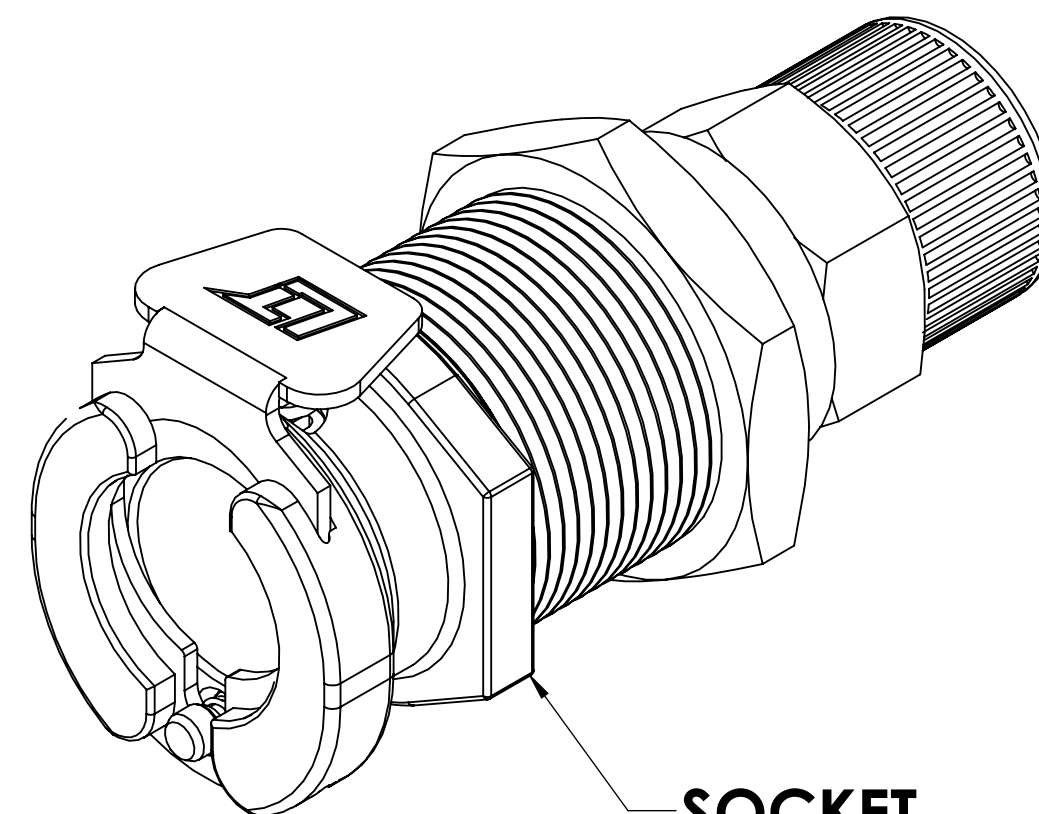
REVISIONS						
SHEET	ZONE	REV.	ECO	DESCRIPTION	DATE	APPROVED
1	ALL	A	50242	PIN, PIN SPRING & 2017 FORMAT UPDATE	10/4/2018	HRC



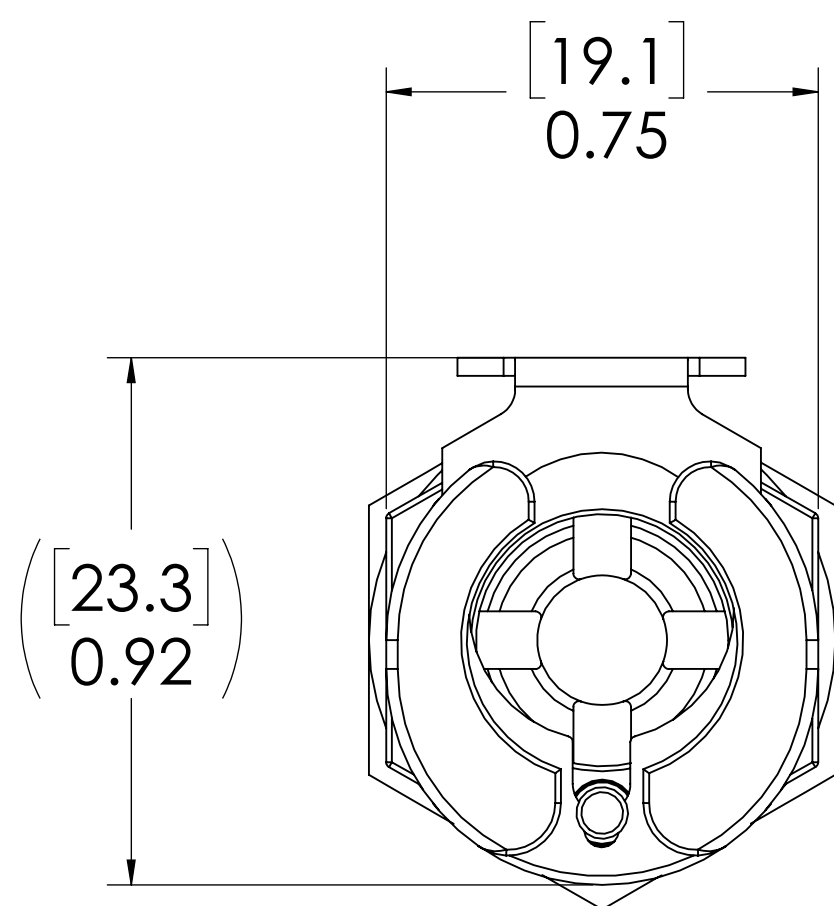
DETAIL B



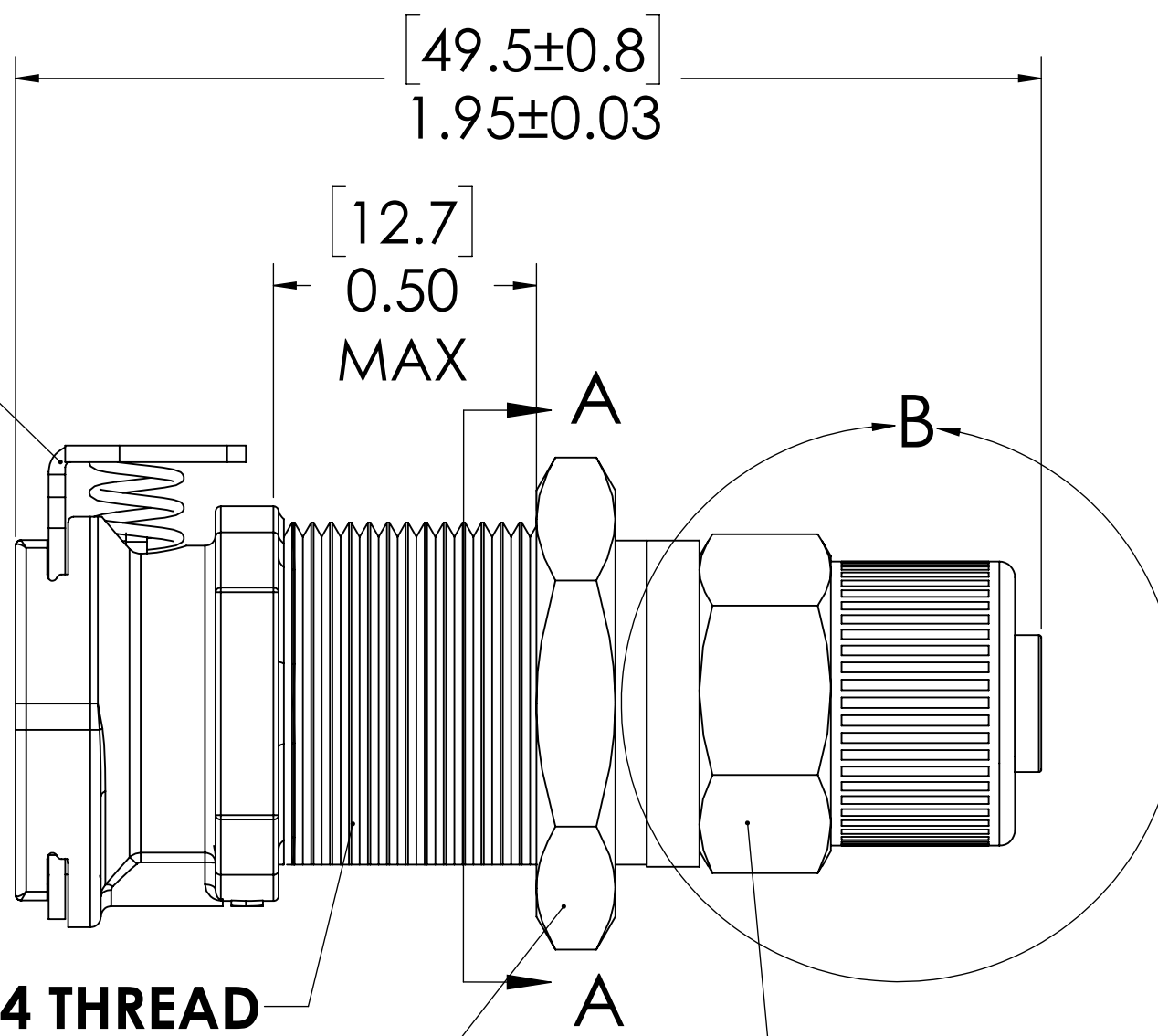
SECTION C-C



**SOCKET
(ACETAL)**

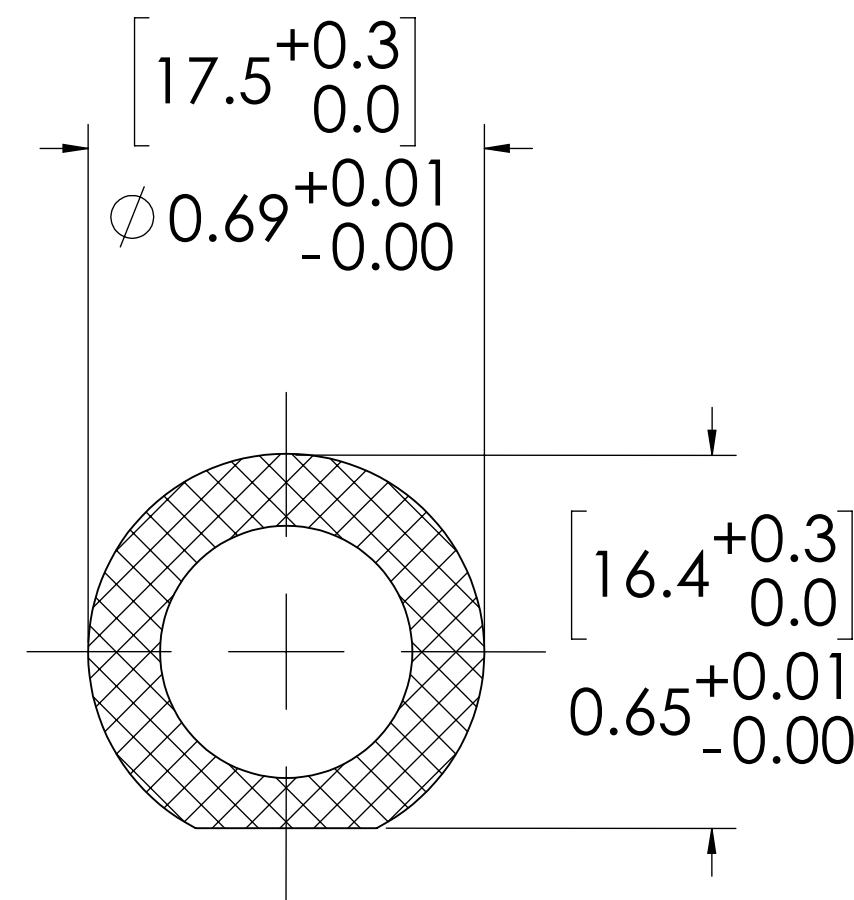


**LATCH HARDWARE
(STAINLESS STEEL)**



**PANEL NUT
(BRASS, NICKEL PLATED)
(PACKAGED SEPARATELY)**


**PTF NUT
(BRASS, NICKEL PLATED)
(PACKAGED SEPARATELY)**



**PANEL OPENING
SECTION A-A**

- NOTES:**
- MATERIAL: ACETAL
 - COLOR: NATURAL WHITE

FOR REFERENCE ONLY

<small>UNLESS OTHERWISE SPECIFIED: DIMENSIONS ARE IN INCHES TOLERANCES: FRACTIONAL ±1/32 ANGULAR: MACH ±0.5 BEND ±2 ONE PLACE DECIMAL ±0.1 TWO PLACE DECIMAL ±0.01 THREE PLACE DECIMAL ±0.005 TWO PLACE DUAL (mm) [±0.12]</small>	DRAWN	LDM	12/15/17	 PART NO: 40AC-S8-06 DESCRIPTION: LinkTech 40AC Series Panel Mt. Female, Non-valved, 3/8" PTF, Natural Acetal									
	CHECKED	HRC	12/15/17										
	ENG APPR.	HRC	10/4/18										
	MFG APPR.	BDB	10/4/18										
PRODUCTION	LS	10/4/18		<table border="1"> <tr> <td>SIZE</td> <td>DWG. NO.</td> <td>REV</td> </tr> <tr> <td>C</td> <td>40AC400234</td> <td>A</td> </tr> <tr> <td>SCALE: NTS</td> <td>WEIGHT:</td> <td>SHEET 1 OF 1</td> </tr> </table>	SIZE	DWG. NO.	REV	C	40AC400234	A	SCALE: NTS	WEIGHT:	SHEET 1 OF 1
SIZE	DWG. NO.	REV											
C	40AC400234	A											
SCALE: NTS	WEIGHT:	SHEET 1 OF 1											
<small>PROPRIETARY AND CONFIDENTIAL THE INFORMATION CONTAINED IN THIS DRAWING IS THE SOLE PROPERTY OF LINKTECH LLC. ANY REPRODUCTION OR DISCLOSURE IN PART OR AS A WHOLE WITHOUT THE WRITTEN PERMISSION OF LINKTECH LLC IS STRICTLY PROHIBITED.</small>													